

USER MANUAL
FOR THE **Adapt-X™**



Customer: Apogee Trailers	Date/Revision	Approved
Description: User manual for a trailer	March	100%
Title: " "	1	Colour(s)
Publication: ...	24/10/2018	4c
Format: 4.5x5.5 inches	Sébastien Neveu / Tel. 514 268-1297	

THANK YOU FOR CHOOSING APOGEE

Apogee is a company based on innovation and excellence, which aims to bring to market products that stand out. We aim to redefine the standard of excellence of the utility trailer with Adapt-X™, unique trailers that will satisfy you. We make every effort to serve our customers the best with our motto always in mind,

AIM FOR THE TOP!



Apogee trailers

519 -103, Rue J Oswald Forest

Saint-Roch-de-l'Achigan,

(Quebec) J0K 3H0

450.588.3845

Monday to Friday: 8:30 am - 5:00 pm

CONTENTS

Important information	4
Specification	5
Storage (Closing)	6
1. Closing the rear section	6
2. Closing the front section	10
Unfolding the trailer	14
1. Hitch extender and opening the front section	14
2. Opening the rear section	16
Loading/unloading methods	18
Using the tailgate as a ramp	18
Tipping	20
Towing	21
Load distribution	22
General maintenance	22
Warranty information	23



IMPORTANT INFORMATION

If you suffer from a bad back, joint pains or have any other physical condition which effects your ability to handle heavy loads, we strongly recommend you do not use this trailer.

In this manual, the level of risk of a potential hazard is indicated as follows:

WARNING:

Indicates a hazardous situation which if not avoided could result in death or serious injury.

CAUTION:

Indicates a hazardous situation which if not avoided could result in moderate or minor injury.

OBSERVATION:

Indicates a hazardous situation which if not avoided could result in damage to property.



SPECIFICATION:

Trailer without brake system

Trailer class: Class 2

Tire: ST175/80 R13

Pressure: 350 kPa (50 psi) max

Wheel torque: 75 N.m (55 ft-lb)

Model	Inside dimensions (in)	Inside dimensions (cm)	Overall width (in/cm)	Mass (lbs/kg)	GVWR (lbs/kg)	Load capacity (lbs/kg)
Adapt-X 300 (4'x8')	49.5 x 98.5	125.7 x 250.2	71.5/181.6	400/181	2712/1230	2312/1049
Adapt-X 400 (5'x8')	61.5 x 98.5	156.2 x 250.2	83.5/212.1	440/200	2712/1230	2272/1031
Adapt-X 500 (5'x10')	61.5 x 123	156.2 x 312.4	83.5/212.1	500/227	2712/1230	2212/1003
Adapt-X 600 (6'x10')	73.5 x 123	186.7 x 312.4	95.5/242.6	590/268	2712/1230	2122/963
Adapt-X 700 (6'x12')	73.5 x 147	186.7 x 374.6	95.5/242.6	710/322	2712/1230	2002/908

STORAGE (CLOSING)

To securely close your ADAPT-X™ trailer and avoid any damages to it, please carefully follow the instructions below.

OBSERVATION:

**First close the rear section then the front section.
The closing operations must be performed on a flat surface.**

1. HITCH PINS

Remove both hitch pins from the front section and both hitch pins from the rear section. **Fig. 1** and **Fig. 2**

2. CLOSING THE REAR SECTION

To close the rear section follow the instructions below. If necessary, consult **Figures 3** to **6**.

- 2.1. Standing behind the trailer, check if the hitch pins in the tailgate are in position then lift up the rear section.
Fig. 2, Fig. 3 and **Fig. 4**

CAUTION:

If the tailgate pins are not in position, the tailgate may open when you attempt to lift up the rear section.

- 2.2. Put the hitch pins in their corresponding storage location. **Fig. 5** and **Fig. 6**

WARNING:

Always check that the hitch pins are in their proper position when the trailer is in the closed or open position.

Figure 1: Remove the hitch pins

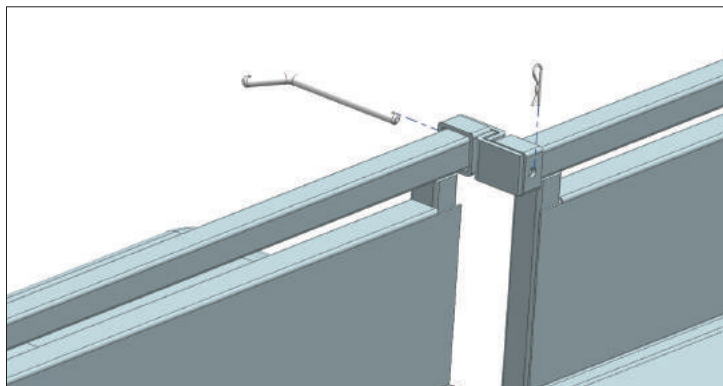


Figure 2: Rear section

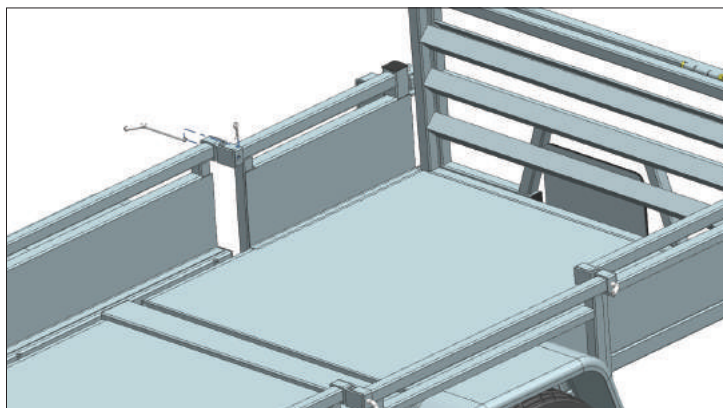


Figure 3: Lift up the rear section

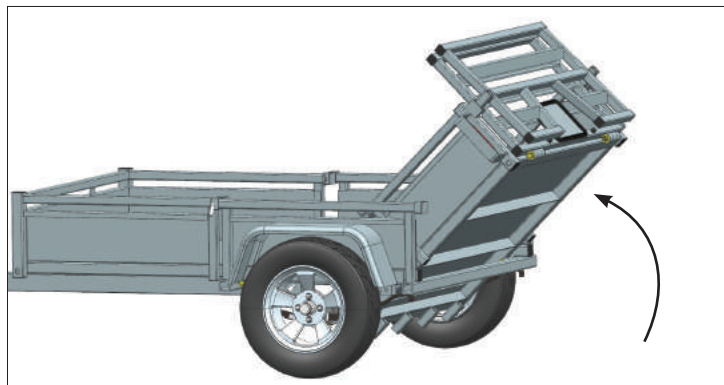


Figure 4: Close the rear section

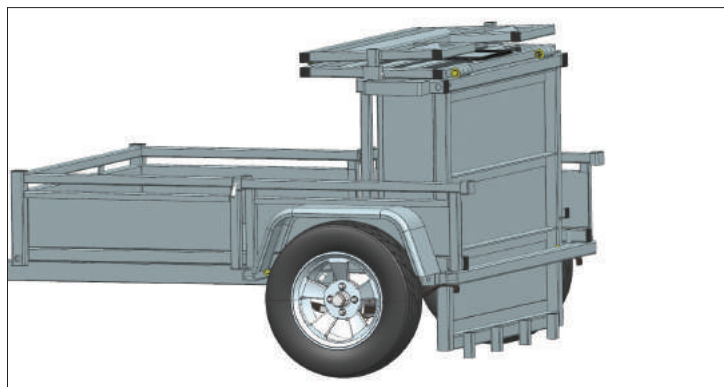


Figure 5: Storage location for hitch pins when in the closed position

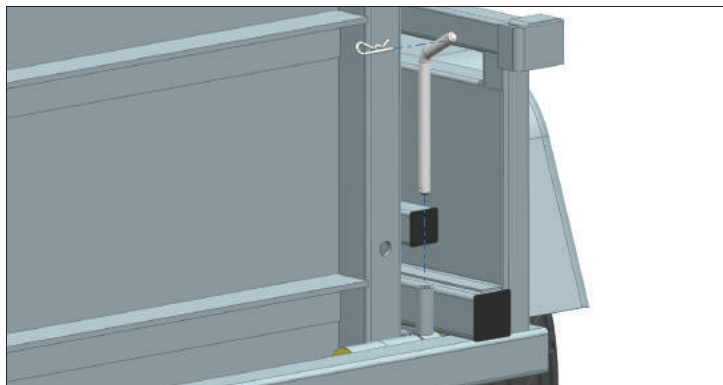
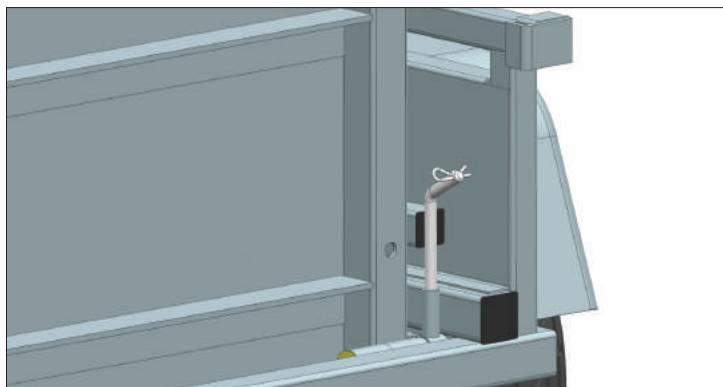


Figure 6: Storage location for hitch pins when in the closed position (continued)



3. CLOSING THE FRONT SECTION

To close the front section follow the instructions below. If necessary, consult **Figures 7 to 12**.

- 3.1. Remove the hitch pins from the front section. **Fig. 1**
- 3.2. Remove the tipping pin. **Fig. 7**
- 3.3. Disconnect the electrical wiring harness between the front section and the tongue.

OBSERVATION:

Not disconnecting the electrical wiring harness between the front section and the tongue before closing the front section of the trailer could damage the harness.

- 3.4. Put one foot on the tongue then lift and close the front section.
Fig. 8 and Fig. 9
- 3.5. As you did when closing the rear section, put the hitch pins in their corresponding storage location. **Fig. 10**
- 3.6. Tip the trailer onto the stops of the rear section. This removes the weight of the trailer from the tongue making it easier to remove the tongue pin. **Fig. 11**
- 3.7. Completely remove the tongue pin. **Fig. 12**
- 3.8. In order not to lose the tipping pin and tongue pin, put them back into their corresponding positions on the trailer.

WARNING:

Always check that the hitch pins are in their proper position when the trailer is in the closed or open position.

Figure 7: Tipping pin

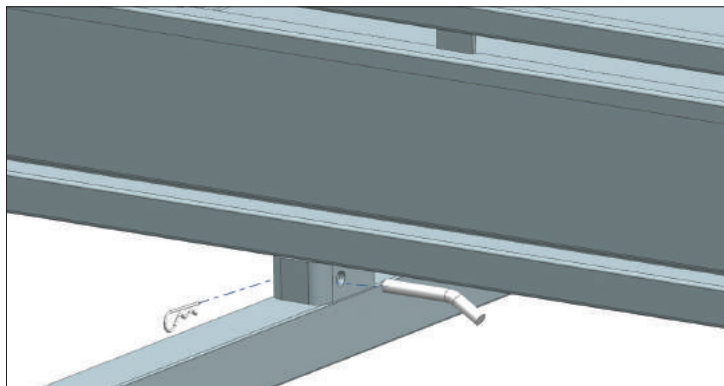


Figure 8: Lift up the front section

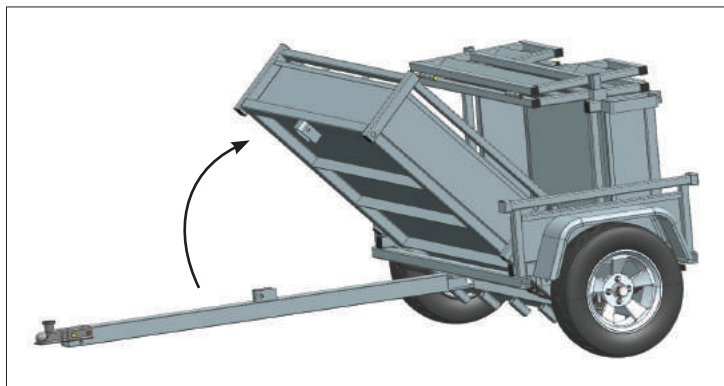


Figure 9: Close the front section

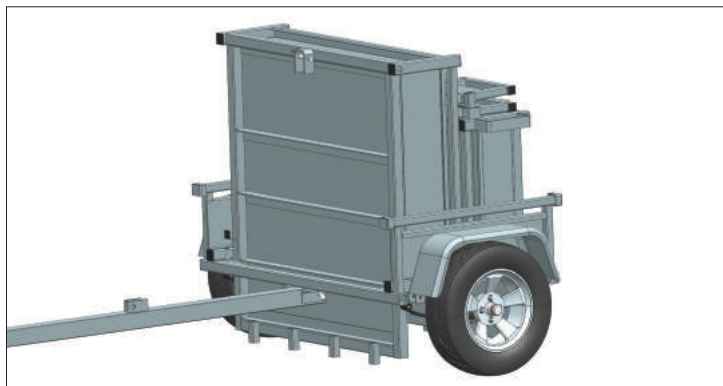


Figure 10: Storage location for hitch pins when in the locked position

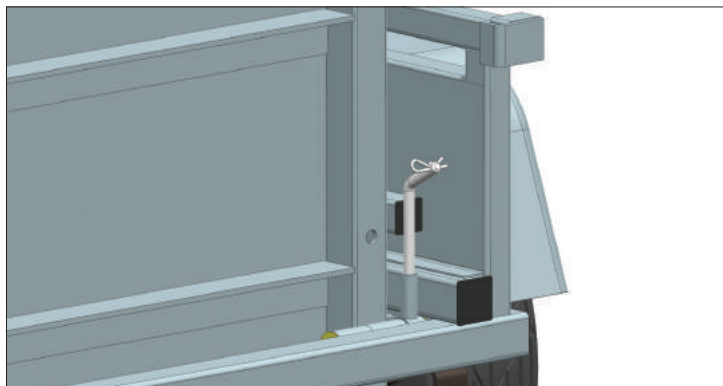


Figure 11: Tip the trailer onto the stops of the rear section

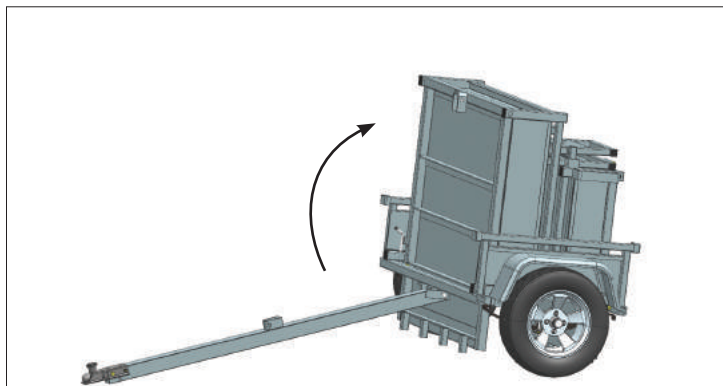
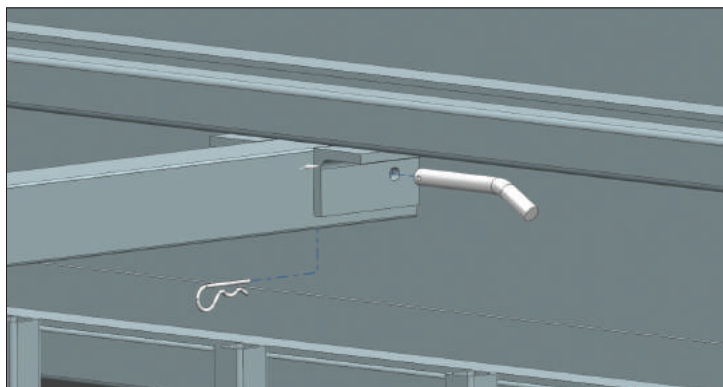


Figure 12: Remove the tongue pin



CAUTION:

Be careful if you have to move the trailer when it is in the locked position because it could tip over.

UNFOLDING THE TRAILER

To securely open your **ADAPT-X™** trailer and avoid any damages to it, please carefully follow the instructions below.

OBSERVATION:

First you must attach the tongue, then open the front section followed by the rear section. The unfolding operations must be performed on a flat surface.

1. TONGUE AND OPENING THE FRONT SECTION

To open the front section follow the instructions below. If necessary, consult **Figures 13 to 15**.

Before opening the trailer, check to see if all the hitch pins are in position and if the trailer is tipped onto the stops at the rear section. **Fig. 13**

- 1.1. Attach the tongue to the main body of the trailer by inserting it into its corresponding section. Put the tongue pin in the corresponding pin holes.

Fig. 12 and Fig. 14

CAUTION:

If the tongue is not attached and you attempt to use the front section the trailer could tip over toward the front.

- 1.2. Remove the tipping pin and the hitch pins from the front section.
- 1.3. Stand in front of the trailer and unfold the front section.
- 1.4. Insert the tipping pin. **Fig. 7**
- 1.5. Connect the electrical wiring harness between the front section and the tongue.

Figure 13: Trailer tipped onto the stops on the rear section

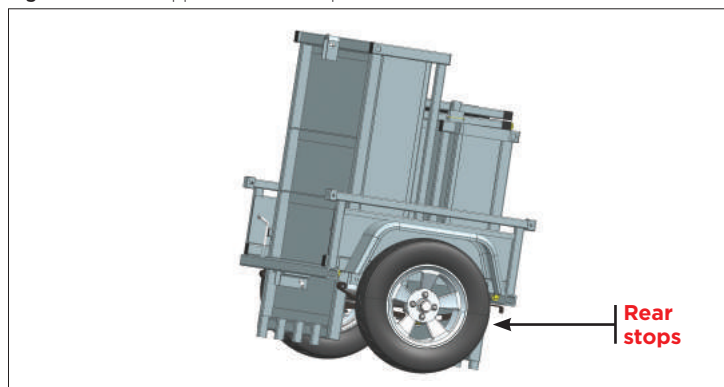


Figure 14: Tongue attached to the trailer

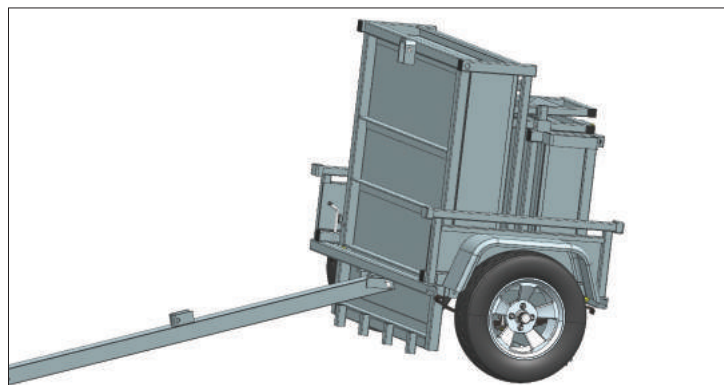
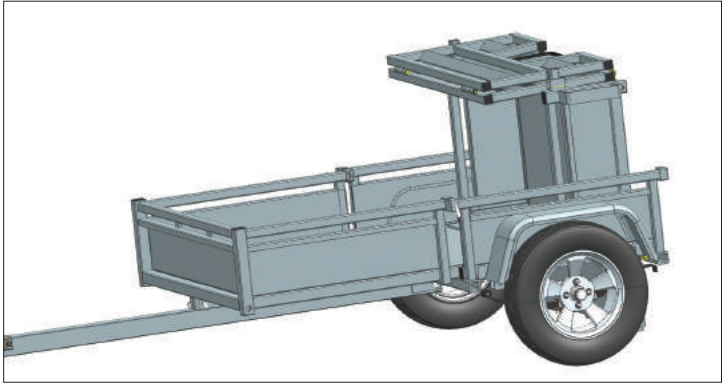


Figure 15: Unfolded front section



2. OPENING THE REAR SECTION

To open the rear section follow the instructions below. If necessary, consult **Figures 16** and **17**.

- 2.1.** Remove the hitch pins from the rear section.
- 2.2.** Check that the tailgate pins are in position. **Fig. 16**

CAUTION:

If the tailgate pins are not in position, the tailgate could open when you attempt to open the rear section.

- 2.3.** Stand behind the trailer and unfold the rear section. **Fig. 17**
- 2.4.** Put back the two hitch pins from the front section and the two hitch pins from the rear section.
- 2.5.** The trailer is now ready to be used. **Fig. 18**

Figure 16: Tailgate pins

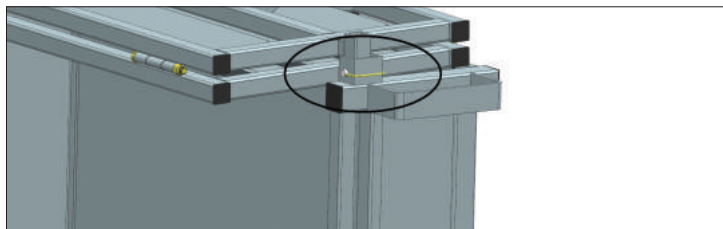
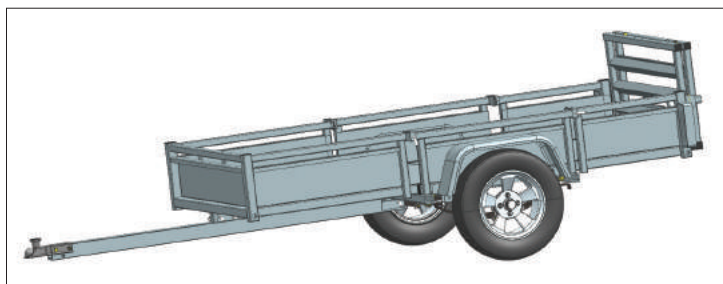


Figure 17: Opening the rear section



Figure 18: Trailer unfolded with hitch pins in position



The trailer is now ready to use.

LOADING/UNLOADING METHODS

Tailgate used as a ramp

It is possible to use the tailgate as a loading/unloading ramp

- 1.1. Remove the tailgate pins. **Fig. 16**
- 1.2. Lower the tailgate while unfolding it.
- 1.3. The unfolded tailgate is now ready to use as a loading/unloading ramp. **Fig. 19**

Figure 19: Using the tailgate as a ramp

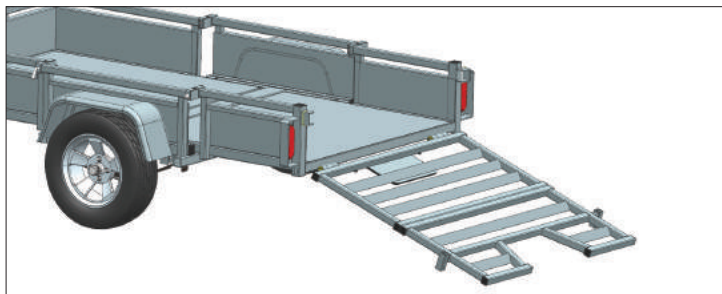
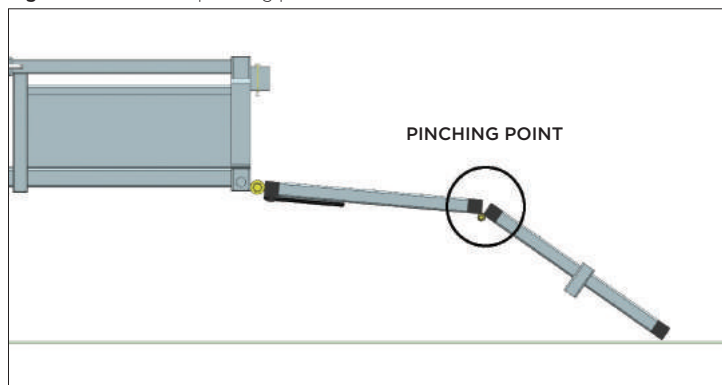


Figure 20: Potential “pinching point”



CAUTION:

When opening the tailgate do not put your fingers in the potential “pinching point” that exists between the two sections of the tailgate. See Fig. 20

DANGER

ATTENTION!
PIÈCES MOBILES LOURDES
MANIPULER AVEC SOIN ET SUIVRE LES
CONSIGNES DU MANUEL D'UTILISATION



DANGER

CAUTION!
HEAVY MOVING PARTS
HANDLE WITH CARE AND FOLLOW USER
MANUAL'S INSTRUCTIONS

TIPPING

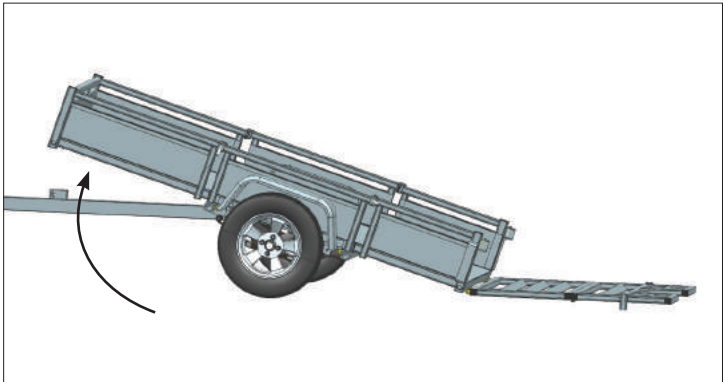
The trailer can also be used in a tipping position as illustrated in **Figure 21**.

OBSERVATION:

Remember to disconnect the electrical wiring harness between the front section and the tongue when using the trailer in the tipping position.

- 1.1. Remove the tipping pin ensuring you keep hold of the front section because the trailer will begin to tip toward the rear. **Fig. 7**
- 1.2. The trailer is ready to use in the tipping position. **Fig. 21**

Figure 21: Trailer in tipping position



TOWING

Apogee Trailers uses a two-inch coupler (2", 5.08 cm)

Check that the size of the trailer ball of the towing vehicle is the same size as the coupler. To attach your trailer follow the instructions below.

1. Open the clamping device on the coupler and attach the trailer to it.
2. Close the clamping device and insert a locking pin or padlock in the corresponding pin hole.
3. Fit the safety chains in a criss-cross formation.
4. Connect the electrical wiring harness of the trailer to the electrical wiring of the towing vehicle and check that the trailer lights work.
5. Check that the safety chains do not restrict the trailer from moving freely.
6. Check that the safety chains are not touching the ground.

CAUTION:

The trailer may detach from the towing vehicle if the towing vehicle's trailer ball is not the same size as the coupler.

LOAD DISTRIBUTION

When loading the trailer it is important to distribute the load. To do this, check that the weight on the trailer ball is not too small (risk of jackknifing), or too heavy (restricted by the capacity of the hitch and the towing vehicle). This weight must be approximately 10% of the load and must not exceed 15%.



CAUTION:

When towing a loaded trailer remember that braking distances are significantly greater and that driving at higher speeds increases the risk of jackknifing.

GENERAL MAINTENANCE

- Grease the wheel bearings on an annual basis.
- Check that the coupler is correctly secured to the trailer ball and ensure they are the same size.
- Check that the hub caps have not moved.
- Check that the safety chains are criss-crossed under the hitch extender and securely fixed to the vehicle.
- Check that all the lights are working properly.
- Ensure that the tire pressure corresponds to the tire pressure recommended by the manufacturer.
- After the initial use of the trailer, check that the wheel bolts are securely tightened. Then, make sure you check the tightening of the wheel bolts on a regular basis, ideally after each use.
- Observe the specified standard for the load capacity.

OBSERVATION:

Only use water and soap if necessary to clean the trailer.

WARRANTY INFORMATION

Apogee Trailers offers a limited warranty of ninety (90) days from the date of purchase to the original purchaser, including parts and labour on the entire trailer. This warranty is not transferable.

Apogee Trailers offers a warranty of two (2) years from the date of purchase on the aluminium frame which includes any damages to the frame, welding defects or electrical wiring faults subject to normal use of the trailer.

Apogee Trailers reserves the right to carry out a full inspection of the product so as to assess and deem if the product has been misused or if the purchaser has subjected the product to improper use.

EXCLUSIONS

The following parts are held directly under the warranty of the manufacturer and not under the Apogee Trailer warranty: The axles, tires, wheel rims, coupler, or any other part or piece not manufactured by Apogee trailers.

The warranty is considered void if the trailer is subjected to any modification or improper use or if the trailer is used outside of what is classed as its intended normal use. This includes the use of chemical cleaning agents not suitable for aluminium.

Should the purchaser wish to pursue a warranty claim s/he should visit in person the dealership from which the trailer was purchased with the purchase receipt. The purchaser should allow a reasonable period of time for any repairs covered under this warranty to be made. The purchaser is responsible for any service, towing or transport costs incurred.



Apogee Trailers

519 -103, Rue J Oswald Forest

Saint-Roch-de-l'Achigan,

(Quebec) J0K 3H0

450.588.3845

Monday to Friday: 8:30 am - 5:00 pm